

Article Number	US Type	LBS	Total Gal	A1/2 (")	B1/2 (")	C (")	D (")	H* (")	I (")	J (")	K* (")	S (")	T (")	U (")	V (")	W (")	X (")	Last Stage (")	Stroke (")	Max PSI
71503099	FC 4.5-3-90-1DA-HC	261	4	7.91/7.91	5.79/6.26	5.08	6.61	46.22	2.17	3.39	5.51	3.82	1 1/16	1.87	2	1.87	1.26	2.83	90	2756
71503105	FC 4.5-3-98-HC	260	5	7.91/7.91	5.79/6.26	5.08	6.61	46.22	2.17	3.39	5.12	3.82	1 1/16	1.87	2	1.87	1.26	2.83	98	2756
71503135	FC 4.5-3-108-HC	273	6	7.91/7.91	5.79/6.26	5.08	6.61	48.98	2.17	3.39	5.51	3.82	1 1/16	1.87	2	1.87	1.26	2.83	108	2756
71504146	FC 5.5-3-117	351	8	9.02/8.82	7.01/7.09	5.87	7.68	52.13	2.56	3.59	6.38	4.16	1 1/16	1.87	2	1.87	1.26	3.58	117	2756
71504176	FC 5.5-3-126	368	9	9.02/8.82	7.01/7.09	5.87	7.68	55.08	2.56	3.59	6.38	4.16	1 1/16	1.87	2	1.87	1.26	3.58	126	2756
71504196	FC 5.5-3-136	386	10	9.02/8.82	7.01/7.09	5.87	7.68	58.43	2.56	3.59	6.38	4.16	1 1/16	1.87	2	1.87	1.26	3.58	136	2756
71504199	FC 5.5-3-134-1DA-HC	398	10	9.02/8.82	7.01/7.09	5.87	7.68	58.43	2.56	3.59	6.38	4.16	1 1/16	1.87	2	1.87	1.26	3.58	136	2756
71504236	FC 5.5-4-157	379	10	9.02/8.82	7.01/7.09	5.87	7.68	51.54	2.56	3.59	6.38	4.16	1 1/16	1.87	2	1.87	1.26	2.83	157	2176
71505216	FC 6.5-4-145	462	12	10.2/9.76	7.91/7.91	6.65	8.62	49.17	2.36	3.79	7.64	4.5	1 5/16	2.24	2	2.24	1.5	3.58	145	2756
71505246	FC 6.5-4-157	484	13	10.2/9.76	7.91/7.91	6.65	8.62	52.13	2.36	3.79	7.64	4.5	1 5/16	2.24	2	2.24	1.5	3.58	157	2756
71505276	FC 6.5-4-169	507	15	10.2/9.76	7.91/7.91	6.65	8.62	55.08	2.36	3.79	7.64	4.5	1 5/16	2.24	2	2.24	1.5	3.58	169	2756
71505306	FC 6.5-4-182	532	16	10.2/9.76	7.91/7.91	6.65	8.62	58.43	2.56	3.79	7.64	4.5	1 5/16	2.24	2	2.24	1.5	3.58	182	2756
71505336	FC 6.5-4-194	556	17	10.2/9.76	7.91/7.91	6.65	8.62	61.57	2.56	3.79	7.64	4.5	1 5/16	2.24	2	2.24	1.5	3.58	194	2756
71505416	FC 6.5-5-216	563	16	10.2/9.76	7.91/7.91	6.65	8.62	58.43	2.56	3.79	7.64	4.5	1 5/16	2.24	2	2.24	1.5	2.83	216	2756
71506300	FC 7.5-4-182	626	21	12.95-12.95	9.02-8.82	7.52	9.53	58.23	2.76	4.17	9.65	4.98	1 5/16	2.24	2	2.24	1.5	4.33	182	2756
71506330	FC 7.5-4-194	655	22	12.95-12.95	9.02-8.82	7.52	9.53	61.38	2.76	4.17	9.65	4.98	1 5/16	2.24	2	2.24	1.5	4.33	194	2756
71508720	FC 9.0-5-320	1168	54	14.17-14.25	10.63-10.75	9.37	10.75	78.23	3.35	5.31	19.13	6.18	1 SAE	2.56	2.56	2.36	2.56	5.08	320	2466

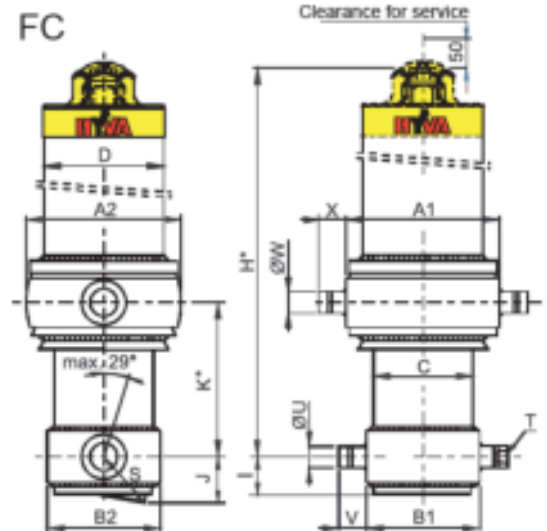
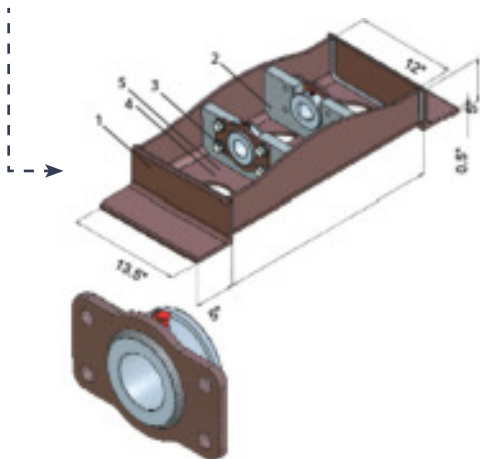
*incl. 0.79" [-0.2";1.2"] pull out on piston

COMPLETE CRADLE KITS FOR FC CYLINDERS

Article Number	Description
015075644	Cradle for FC 4.5/5.5
015075646	Cradle for FC 6.5/7.5

COMPLETE CRADLE KITS FOR FC CYLINDERS

Pos	Kit Number	Description
	015075644	
1	(x1) 73259910	Cylinder Cradle
2	(x2) 015075652	U-Bracket 4.5/5.5/6.5/7.5 for cradle
3	(x2) 015075655	4.5/5.5 Bracket Plate Assembly
4	(x8) 65000463	Hex bolt G5 5/8" 11UN 3/4" x 1 3/4"
5	(x8) 65000464	Spring Washer 5/8"
	015075646	
1	(x1) 73259910	Cylinder Cradle
2	(x2) 015075652	U-Bracket 4.5/5.5/6.5/7.5 for cradle
3	(x2) 015075657	6.5/7.5 Bracket Plate Assembly
4	(x8) 65000463	Hex bolt G5 5/8" 11UN 3/4" x 1 3/4"
5	(x8) 65000464	Sprint washer 5/8"



LIFTING BRACKETS

Article Number	Description	L2 (")	L3 (")	L4 (")	L5 (")	L6 (")	L7 (")	L8 (")	L9 (")
01509404	Lift Bracket FC 4.5/5.5	0.75	1.5	2.99	2.87	1.44	1.89	4.49	1.26
01509406	Lift Bracket FC 6.5/7.5	1	2.01	4.02	4.02	2.01	2.26	5.98	1.50

BOLTS FOR LIFTING BRACKETS

Article Number	Description
15012020	Bolt Hex 1" - 12 x 21/4 UN

