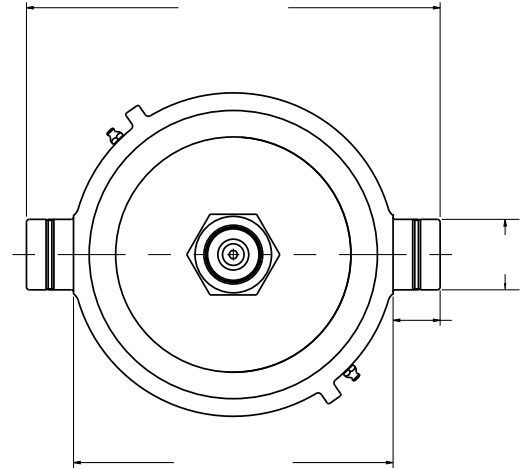
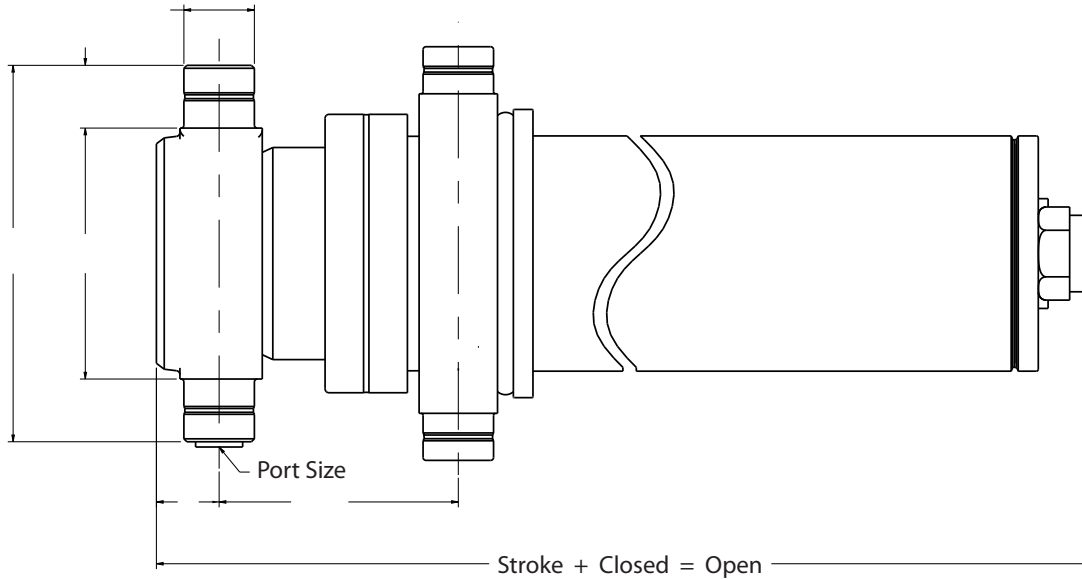




# CAP OVER / COVER TUBE APPLICATION WORKSHEET



## Fill Out Dimensions Between Arrows

Add notes if anything is special

---

---

---

**CUSTOMER**

**CONTACT**

**PHONE**

**FAX**

**EMAIL**

---